

Krenz *Instrumentation*

M2i.61xx - 8 bit 125 MS/s Arbitrary Waveform Generator

- Fast 8 bit arbitrary waveform generator
- 2 or 4 channel versions
- Simultaneously generation on all channels
- Output up to ± 3 V in 50 Ohm
- Amplifier option available for ± 10 V
- Offset and amplitude programmable
- 3 software selectable filters
- Up to 4 GSamples on-board memory
- 64 MSample standard memory installed
- FIFO mode continuous streaming output
- Synchronization option available for up to 16 cards
- Options: Multiple Replay, Gated Replay, BaseXIO, Amplifier



- 66 MHz 32 Bit PCI-X interface
- 5V / 3.3V PCI compatible
- 100% compatible to conventional PCI > V2.1
- Sustained streaming mode up to 225 MB/s

- 2,5 GBit x1 PCIe Interface
- Works with x1/x4/x8/x16* PCIe slots
- Software compatible to PCI
- Sustained streaming mode up to 160 MB/s

<u>Operating Systems</u>	<u>Recommended Software</u>	<u>Drivers</u>
<ul style="list-style-type: none"> • Windows 2k, XP, Vista • Linux Kernel 2.4 + 2.6 • Both 32 and 64 bit 	<ul style="list-style-type: none"> • Visual Basic, Visual C++, Borland C++ Builder, GNU C++, Borland Delphi, VB.NET • SBench, SPviewIT 	<ul style="list-style-type: none"> • MATLAB • LabVIEW, LabWindows • DASY Lab • Agilent VEE

Model	1 channel	2 channels	4 channels
M2i.6110	125 MS/s	125 MS/s	
M2i.6111	125 MS/s	125 MS/s	125 MS/s

General Information

The M2i.61xx series offers 2 different versions of arbitrary waveform generators for the PCI/PCI-X bus and PCI Express. With these boards it is possible to generate free definable waveforms on several channels synchronously. There are up to four channels on one board with a maximum update rate of 125 MS/s. With one of the synchronization options the setup of synchronous multi channel systems is possible. It is also possible to combine the arbitrary waveform generator with other boards of the M2i product family like analog acquisition or digital I/O boards.

With the up to 4 GSample large on-board memory long waveforms can be generated even with high sampling rates. The M2i.61xx series offers 2 different versions of arbitrary. All boards of the M2i.61xx series may use the whole installed on-board memory completely for the currently activated number of channels. The memory can also be used as a FIFO buffer to make continuously data transfer from PC memory or hard disk.

*Some x16 PCIe slots are for the use of graphic cards only and can not be used for other cards.

Software Support

Windows drivers

The cards are delivered with drivers for Windows 2000, Windows XP, Windows XP64 and Windows Vista. Programming examples for Visual C/C++, Borland C++ Builder, LabWindows/CVI, Borland Delphi, Visual Basic and VB.NET are included.

Linux Drivers



All cards are delivered with full Linux support. Pre compiled kernel modules are included for the most common distributions like RedHat, Fedora, Suse or Debian. The Linux support includes SMP systems, 32 bit and 64 bit systems, versatile programming examples for Gnu C++ as well as the possibility to get the driver sources for own compilation.

SPEasyGenerator



For a fast start with the hardware the simple signal generation software SPEasyGenerator is included in the delivery. This software allows to generate simple signal shapes like sine, triangle or rectangle with programmable frequency, amplitude and phase. SPEasyGenerator is also available as LabWindows source code.

SBench

A full licence of SBench the easy-to-use graphical operating software for the Spectrum cards is included in the delivery. The version 6 is running under Windows as well as under Linux (KDE and GNOME).

Third-party products

A lot of third-party products are supported as an option. Choose between LabVIEW, MATLAB, DASyLab and Agilent VEE. All drivers come with examples and detailed documentation.

MI Software compatibility layer

To allow an easy change from MI cards to the new M2i cards for existing software a special software compatibility layer is delivered with the cards. This DLL converts MI calls to M2i calls and simulates a MI card in the software.

Hardware features and options

PCI/PCI-X



The M2i cards with PCI/PCI-X bus connector use 32 Bit and up to 66 MHz clock rate for data transfer. They are 100% compatible to Conventional PCI > V2.1. The universal interface allows the use in PCI slots with 5 V I/O and 3.3 V I/O voltages as well as in

PCI-X or PCI 64 slots. The maximum sustained data transfer rate is 225 MByte/s per bus segment.

PCI Express



The M2i cards with PCI Express use a x1 PCIe connector. They can be used in PCI Express x1/x4/x8/x16 slots, except special graphic card slots, and are 100% software compatible to Conventional PCI > V2.1. The maximum sustained data transfer rate is

160 MByte/s per slot.

FIFO mode

The FIFO mode is designed for continuous data transfer between measurement board and PC memory (up to 225 MB/s on a PCI-X slot and up to 115 MB/s on a PCI slot) or hard disk. The control of the data stream is done automatically by the driver on interrupt request. The complete installed on-board memory is used for buffer data, making the continuous streaming extremely reliable.

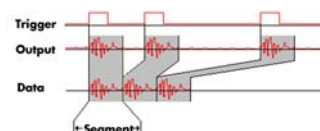
External trigger I/O

All digital boards can be triggered using an additional external TTL signal per acquisition module. It's possible to use positive or negative edge also in combination with a programmable pulse width. An internally recognized trigger event can - when activated by software - be routed to the trigger output connector to start external instruments.

Pulse width

Defines the minimum or maximum width that a trigger pulse must have to generate a trigger event. Pulse width can be combined with channel trigger, pattern trigger and external trigger.

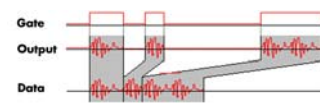
Multiple Replay



The Multiple Replay option allows the fast repetition output on several trigger events without restarting the hardware. With this option very fast repetition rates can be achieved.

The on-board memory is divided in several segments of same size. Each of them is generated if a trigger event occurs.

Gated Replay

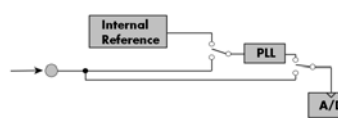


The Gated Sampling option allows data replay controlled by an external gate signal. Data is only replayed if the gate signal has a programmed level.

External clock I/O

Using a dedicated line a sampling clock can be fed in from an external system. It's also possible to output the internally used sampling clock to synchronize external equipment to this clock.

Reference clock



The option to use a precise external reference clock (normally 10 MHz) is necessary to synchronise the board for high-quality

measurements with external equipment (like a signal source). It's also possible to enhance the quality of the sampling clock in this way. The driver automatically generates the requested sampling clock from the fed in reference clock.

Singleshot output

When singleshot output is activated the data of the on-board memory is replayed exactly one time. As trigger source one can use the external TTL trigger or the software trigger.

Repeated output

When repeated output is used the data of the on-board memory is replayed continuously until a stop command is executed or N times. As trigger source one can use the external TTL trigger or the software trigger.

Single Restart replay

When this mode is activated the data of the on-board memory will be replayed once after each trigger event. Trigger source one can use the external TTL or software trigger.

± 10 V Amplifier



The amplifier board allows the output of ± 10 V on up to four channels without software modification. The standard outputs of the card are amplified by factor 3.33. The amplifier which has 30 MHz bandwidth has an output impedance of 50 Ohm. This allows ± 10 V with high impedance termination or ± 5 V with 50 ohm termination.

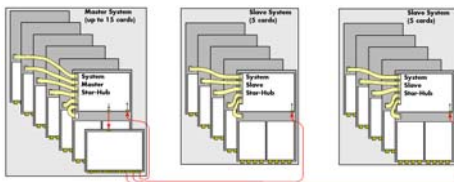
Star-Hub



The star-hub is an additional module allowing the phase stable synchronisation of up to 16 boards in one system. Independent of the number of boards there is no phase delay between all channels. The star-hub distributes trigger and

clock information between all boards. As a result all connected boards are running with the same clock and the same trigger. All trigger sources can be combined with OR/AND allowing all channels of all cards to be trigger source at the same time. The star-hub is available as 5 card and 16 card version. The 5 card version doesn't need an extra slot.

271 synchronous cards with the System Star-Hub



With the help of multiple system star-hubs it is possible to link up to 17 system phase synchronous with each other.

Each system can then contain up to 16 cards (master only 15). In total 271 cards can be used fully synchronously in a bunch of systems. One master system distributes clock and trigger signal to all connected slave systems.

BaseXIO (enhanced trigger)



The BaseXIO option offers 8 asynchronous digital I/O lines on the base card. The direction can be selected by software in groups of four. Two of these lines can also be used as additional external trigger sources.

This allows the building of complex trigger conjunctions with external gated triggers as well as AND/OR conjunction of multiple external trigger sources like, for example, the picture and row synchronisation of video signals. In addition one of the I/O lines can be used as reference clock for the Timestamp counter.

Technical Data

Analog Outputs

Resolution	8 bit
INL, Integral linearity (DAC only)	± 1.5 LSB typ.
DNL, Differential linearity (DAC only)	± 1.0 LSB typ.
Output resistance	< 1 Ohm
Max output swing in 50 Ohm	± 3 V (offset + amplitude)
Max slew rate (no filter)	> 0.9 V/ns
Crosstalk @ 1 MHz signal ±3 V	< -80 dB
Output accuracy	< 1%
Connector (analog and trigger/clock)	3 mm SMB male

Trigger

Multi, Gate: re-arming time	<4 Samples
Trigger output delay	One positive edge after internal trigger event
External trigger type	3.3V LVTTTL compatible (5V tolerant)
External trigger input	Low ≤ 0.8 V, High ≥ 2.0 V, ≥ 2 clock periods
External trigger maximum voltage	-0.5 V up to +5.7 V (internally clamped to 5.0V, 100 mA max. clamping current)
External trigger output levels	Low ≤ 0.4 V, High ≥ 2.4 V, TTL compatible
External trigger output drive strength	Capable of driving 50 ohm load

Environmental and Physical details

Dimension (PCB only)	312 mm x 107 mm (full PCI length)
Width (Standard or star-hub 5)	1 full size slot
Width (star-hub 16)	2 full size slots
Weight (depending on options/channels)	290g (2 ch) up to 460g (4 ch + sh)
Warm up time	10 minutes
Operating temperature	0°C - 50°C
Storage temperature	-10°C - 70°C
Humidity	10% to 90%

PCI / PCI-X specific details

PCI / PCI-X bus slot type	32 bit 33/66 MHz
PCI / PCI-X bus slot compatibility	32/64 bit, 33-133 MHz, 3,3 V and 5 V I/O

PCI EXPRESS specific details

PCIe slot type	x1
PCIe slot compatibility	x1/x4/x8/x16*

*Some x16 PCIe slots are for graphic cards only and can not be used for other cards.

Max channels with Star-Hub	SH5	SH16	SSH55	SSHS16
M2i.6110	10	32	170	542
M2i.6111	20	64	340	1084

Power consumption (max speed)	PCI / PCI-X		PCI EXPRESS	
	3,3 V	5 V	3,3 V	12 V
M2i.6110 (32 MS memory)	2.8 A	0.7 A	0.4 A	TBD
M2i.6111 (32 MS memory)	3.2 A	1.1 A	0.4 A	TBD
M2i.6111 (4 GS memory), max. power	4.9 A	1.1 A	0.4 A	TBD

Certifications and Compliances

EMC Immunity	Compliant with CE Mark
EMC Emission	Compliant with CE Mark

Clock

Internal clock range (PLL mode)	1 kS/s to max (see table below)
Internal clock accuracy	20 ppm
Internal clock: max. jitter in PLL mode	TBD
Internal clock: max. jitter in quartz mode	TBD
Internal clock setup granularity (≤ 100 M)	≤1% of range (100M, 10M, 1M, 100k,...)
Internal clock setup granularity example	range 1M to 10M: stepsize ≤ 100k
Internal clock setup granularity (> 100 M)	one fixed value (160 MS/s or 200 MS/s)
Reference clock: external clock range	≥ 1.0 MHz and ≤ 125.0 MHz
External clock range	1 MS/s to max (see table below)
External clock delay to internal clock	5.4 ns
External clock type	3.3V LVTTTL compatible
External clock input	Low ≤ 0.8 V, High ≥ 2.0 V, duty 45% - 55%
External clock maximum voltage	-0.5 V up to +3.8 V (internally clamped to 3.3V, 100 mA max. clamping current)
External clock output levels	Low ≤ 0.4 V, High ≥ 2.4 V, TTL compatible
External clock output drive strength	Capable of driving 50 ohm load

BaseXIO (Option)

BaseXIO Connector (extra bracket)	8 x SMB (8 x MMCX internal)
BaseXIO input	TTL compatible: Low ≤ 0.8 V, High ≥ 2.0 V
BaseXIO input maximum voltage	-0.5 V up to +5.5 V
BaseXIO output levels	TTL compatible: Low ≤ 0.4 V, High ≥ 2.4 V
BaseXIO output drive strength	32 mA maximum current

Software programmable parameters

Output amplitude	±100 mV up to ±3 V in 1 mV steps (Amp option: ±333 mV up to ±10 V)
Output offset	±3 V selectable in 1 mV steps (Amp option: ±10 V in 3 mV steps)
Filters	no filter or one of 3 different filters as defined in technical data section
Mode	Singleshot, Repeated Replay, Single Restart
Clock mode	Int. PLL, int. quartz, ext. clock, ext. divided, ext. reference clock, sync
Clock impedance	50 Ohm / high impedance (> 4kOhm)
Trigger impedance	50 Ohm / high impedance (> 4kOhm)
Trigger mode	external TTL, software, pulsewidth, Or/And, Delay
Trigger edge	Rising edge, falling edge, both edges
Trigger pulse width	0 to [64k - 1] samples in steps of 1 sample
Trigger delay	0 to [64k - 1] samples in steps of 1 sample
Memory depth	8 up to [installed memory / number of active channels] in steps of 8
Multiple Replay segment size	8 up to [installed memory / 2 / active channels] in steps of 4
Synchronization clock divider	2 up to [8k - 2] in steps of 2
Channel selection	1, 2, 4
Output Delays	
Trigger to 1st sample	16 clocks
Gate end to last replayed sample	16 clocks
Gate end alignment	[4 / active channels] in samples

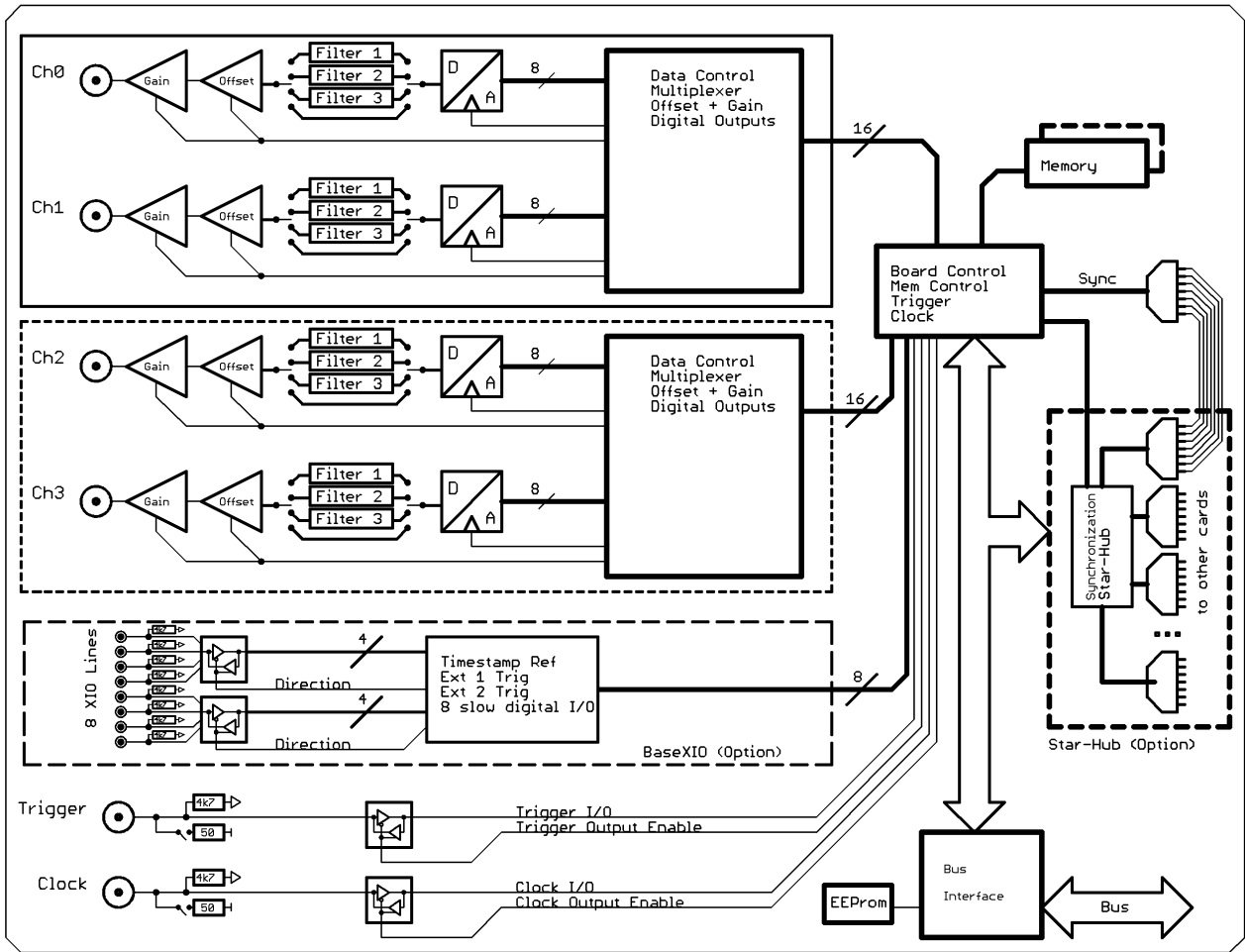
Clock, Filter and Dynamic Parameters

	M2i.6110	M2i.6111
max internal clock	125 MS/s	125 MS/s
max external clock	125 MS/s	125 MS/s
-3 dB bandwidth no filter	> 60 MHz	> 60 MHz
Filter 3: Characteristics	5th order Butterworth	
Filter 3: -3 dB bandwidth	25 MHz	25 MHz
Filter 2: Characteristics	4th order Butterworth	
Filter 2: -3 dB bandwidth	5 MHz	5 MHz
Filter 1: Characteristics	4th order Butterworth	
Filter 1: -3 dB bandwidth	500 kHz	500 kHz

	M2i.6110 and M2i.6111
Test - Samplerate	125 MS/s
Output Frequency	400 kHz
Output Level	±2 V
Used Filter	500 kHz
SNR (typ)	> 60.9 dB
THD (typ)	< -69.1 dB
SFDR (typ), excl harm.	> 71.9 dB

Dynamic parameters are measured at the given output level and 50 Ohm termination with a high resolution data acquisition card and are calculated from the spectrum. The sample rate that is selected is the maximum possible one. All available channels are activated for the tests. SNR and SFDR figures may differ depending on the quality of the used PC. SNR = Signal to Noise Ratio, THD = Total Harmonic Distortion, SFDR = Spurious Free Dynamic Range

Hardware block diagram



Order Information

PCI/PCI-X

Order no.	Standard mem	1 channel	2 channels	4 channels
M2i.6110	64 MByte	125 MS/s	125 MS/s	
M2i.6111	64 MByte	125 MS/s	125 MS/s	125 MS/s

PCI Express

Order no.	Standard mem	1 channel	2 channels	4 channels
M2i.6110-exp	64 MByte	125 MS/s	125 MS/s	
M2i.6111-exp	64 MByte	125 MS/s	125 MS/s	125 MS/s

Memory

Order no.	Option
M2i.xxxx-128MB	Memory upgrade to 128 MB of total memory
M2i.xxxx-256MB	Memory upgrade to 256 MB of total memory
M2i.xxxx-512MB	Memory upgrade to 512 MB of total memory
M2i.xxxx-1GB	Memory upgrade to 1 GB of total memory
M2i.xxxx-2GB	Memory upgrade to 2 GB of total memory
M2i.xxxx-4GB	Memory upgrade to 4 GB of total memory

Options

Order no.	Option
M2i.xxxx-mr	Option Multiple Replay
M2i.xxxx-gs	Option Gated Replay
M2i.xxxx-SH5 (1)	Synchronization Star-Hub for up to 5 cards, only 1 slot width
M2i.xxxx-SH16 (1)	Synchronization Star-Hub for up to 16 cards
M2i.xxxx-SSHM (1)	System-Star-Hub Master for up to 15 cards in the system and up to 17 systems, sync cables included
M2i.xxxx-SSH5 (1)	System-Star-Hub Slave for up to 5 cards in one system, all sync cables included
M2i.xxxx-SSH16 (1)	System-Star-Hub Slave for up to 16 cards in one system, all sync cables included
Mi.6xxx-1Amp	±10 V output amplifier card with 1 channel including SMB to SMB connection cable
Mi.6xxx-2Amp	±10 V output amplifier card with 2 channels including SMB to SMB connection cables
Mi.6xxx-4Amp	±10 V output amplifier card with 4 channels including SMB to SMB connection cables
M2i.xxxx-bxio	Option BaseXIO: 8 digital I/O lines usable as asynchronous I/O and additional external trigger lines, additional bracket with 8 SMB connectors
M2i-upgrade	Upgrade for M2i.xxxx: later installation of option -dig or -bxio

Cables

Order no.	Option
Cab-3f-9m-80	Adapter cable SMB female to BNC male, 80 cm
Cab-3f-9f-80	Adapter cable SMB female to BNC female, 80 cm
Cab-3f-3f-80	Adapter cable SMB female to SMB female, 80 cm
Cab-3f-9m-200	Adapter cable SMB female to BNC male, 200 cm
Cab-3f-9f-200	Adapter cable SMB female to BNC female, 200 cm
Cab-3f-3f-200	Adapter cable SMB female to SMB female, 200 cm
Cab-3f-9f-5	Adapter cable SMB female to BNC female, 5 cm (short cable especially for oscilloscope probes)

Drivers

Order no.	Option
M2i.xxxx-ml	MATLAB driver for all M2i cards
M2i.61xx-lv	LabVIEW driver for all M2i.61xx cards
M2i.61xx-dl	DASyLab driver for all M2i.61xx cards
M2i.61xx-vee	Agilent VEE driver for all M2i.61xx cards

(1) : Just one of the options can be installed on a card at a time.

technical changes and printing errors possible